



(12) **United States Design Patent**  
**Watkins**

(10) **Patent No.:** **US D759,400 S**  
(45) **Date of Patent:** **\*\* Jun. 21, 2016**

(54) **HEADRAIL FOR ROLLER WINDOW SHADES**

(71) Applicant: **Comfortex Window Fashions,**  
Maplewood, NY (US)

(72) Inventor: **Richard Watkins,** Lake Luzerne, NY  
(US)

(73) Assignee: **Comfortex Window Fashions,**  
Maplewood, NY (US)

(\*\*) Term: **14 Years**

(21) Appl. No.: **29/480,752**

(22) Filed: **Jan. 29, 2014**

(51) **LOC (10) Cl.** ..... **06-10**

(52) **U.S. Cl.**  
USPC ..... **D6/580**

(58) **Field of Classification Search**  
USPC ..... D6/575, 576, 577, 578, 579, 580, 581;  
D8/349, 352, 353, 368, 369, 376;  
160/84.01, 84.02, 84.03, 84.04, 84.05,  
160/84.06, 84.07, 84.08, 107, 108, 111,  
160/113, 130, 133  
CPC ..... E06B 3/30; E06B 9/00; E06B 9/02;  
E06B 9/24; E06B 9/262; A47H 1/00; A47H  
1/02; A47H 21/00; A47H 23/00; A47H 23/02;  
A47H 23/04; A47H 2001/0205; A47H  
2023/025

See application file for complete search history.

(56) **References Cited**

**U.S. PATENT DOCUMENTS**

D355,093 S *	2/1995	Morris	.....	D6/577
D355,094 S *	2/1995	Josephson	.....	D6/577
D361,010 S *	8/1995	Hebsgaard	.....	D6/575
D385,449 S *	10/1997	Morris	.....	D6/580
D439,461 S *	3/2001	Brunell	.....	D6/580
D480,250 S *	10/2003	Nainee	.....	D6/580
D486,340 S *	2/2004	Sudano	.....	D6/577
D489,209 S *	5/2004	Goldberg	.....	D25/119

D497,758 S *	11/2004	Goldberg	.....	D25/119
D522,297 S *	6/2006	Miller	.....	D6/580
D524,085 S *	7/2006	Miller	.....	D6/580
D530,967 S *	10/2006	Smith	.....	D6/580
D542,067 S *	5/2007	Watkins	.....	D6/580
D542,068 S *	5/2007	Watkins	.....	D6/580
D546,104 S *	7/2007	Miller	.....	D6/580
D554,422 S *	11/2007	Lin	.....	D6/580
D567,002 S *	4/2008	Allsopp	.....	D6/580
D595,078 S *	6/2009	Kollman	.....	D6/580
D600,484 S *	9/2009	Anderson	.....	D6/580
D633,320 S *	3/2011	Brace	.....	D6/580
D680,357 S *	4/2013	Wills	.....	D6/580

(Continued)

*Primary Examiner* — Karen S Acker

*Assistant Examiner* — Wendy Arminio

(74) *Attorney, Agent, or Firm* — Hoffman Warnick LLC

(57) **CLAIM**

The ornamental design for a headrail for roller window shades, as shown and described.

**DESCRIPTION**

FIG. 1 is a perspective view of a headrail for roller window shades of the present design.

FIG. 2 is a plan view thereof.

FIG. 3 is a front view thereof.

FIG. 4 is a side view thereof.

FIG. 5 is a back view thereof.

FIG. 6 is a bottom view thereof.

FIG. 7 is a perspective view of the headrail for roller window shades shown in a position of use fully assembled with unclaimed brackets.

FIG. 8 is a plan view thereof.

FIG. 9 is a front view thereof.

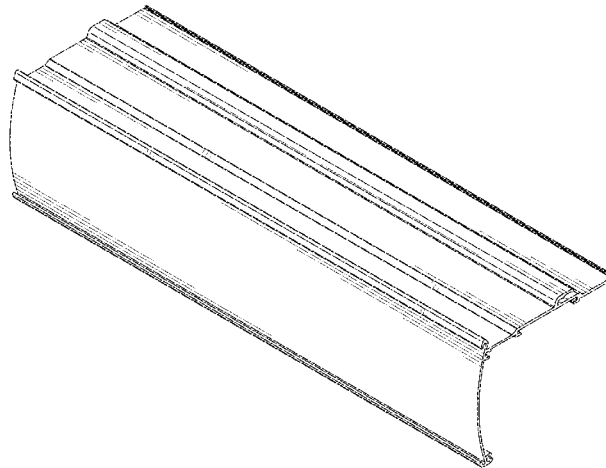
FIG. 10 is a side view thereof.

FIG. 11 is a back view thereof; and,

FIG. 12 is a bottom view thereof.

The broken lines in the figures depict environmental subject matter that forms no part of the claimed design.

**1 Claim, 8 Drawing Sheets**



# US D759,400 S

Page 2

---

(56)

## References Cited

U.S. PATENT DOCUMENTS

D699,976 S \* 2/2014 Chou ..... D6/580  
D724,153 S \* 3/2015 Sacks ..... D20/44

D687,248 S \* 8/2013 Huston ..... D6/580 \* cited by examiner

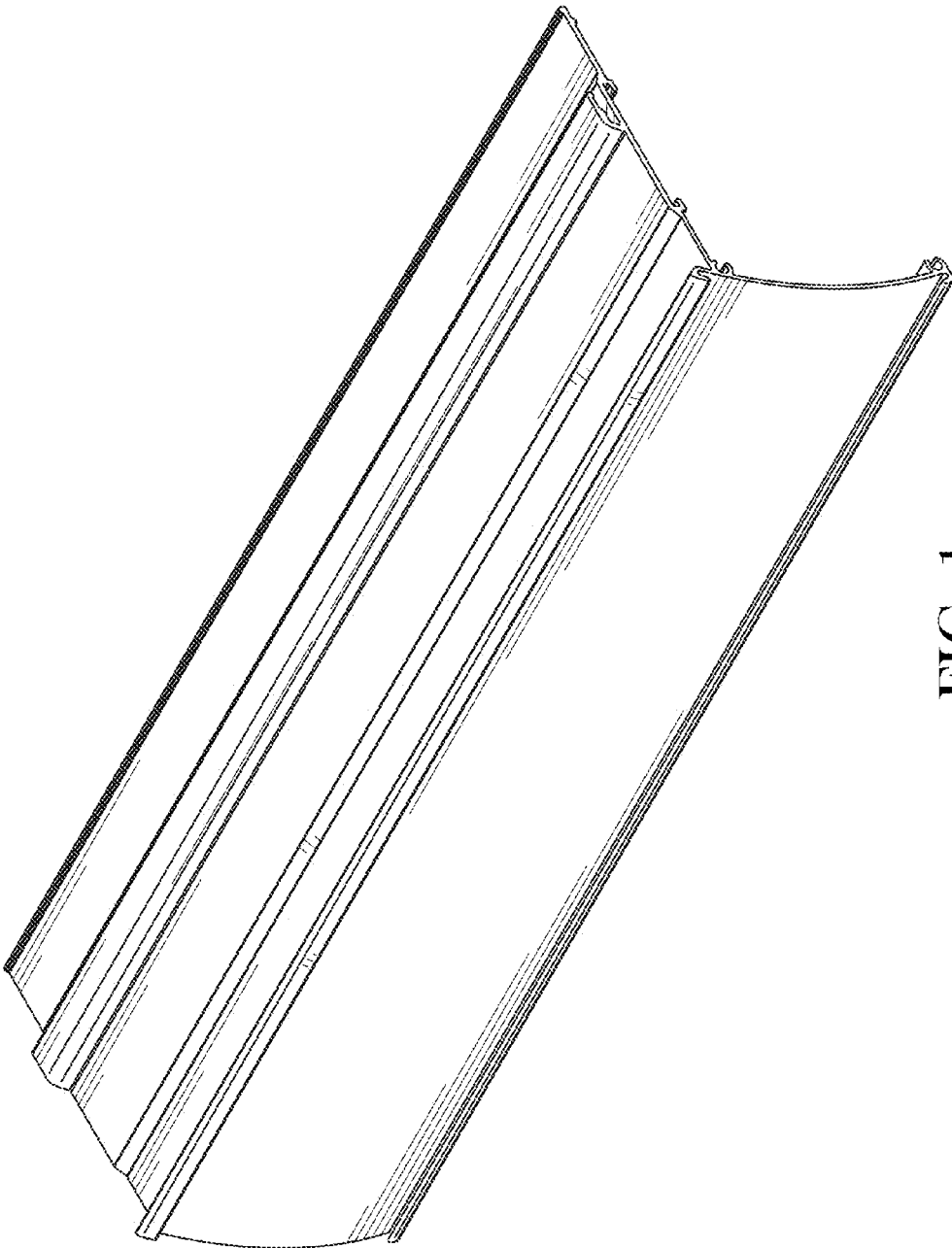


FIG. 1

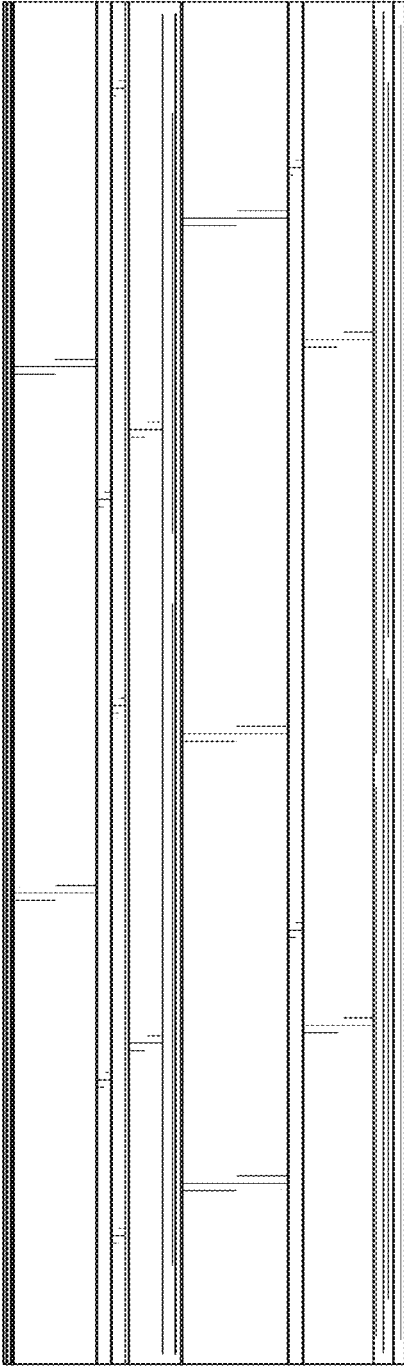


FIG. 2

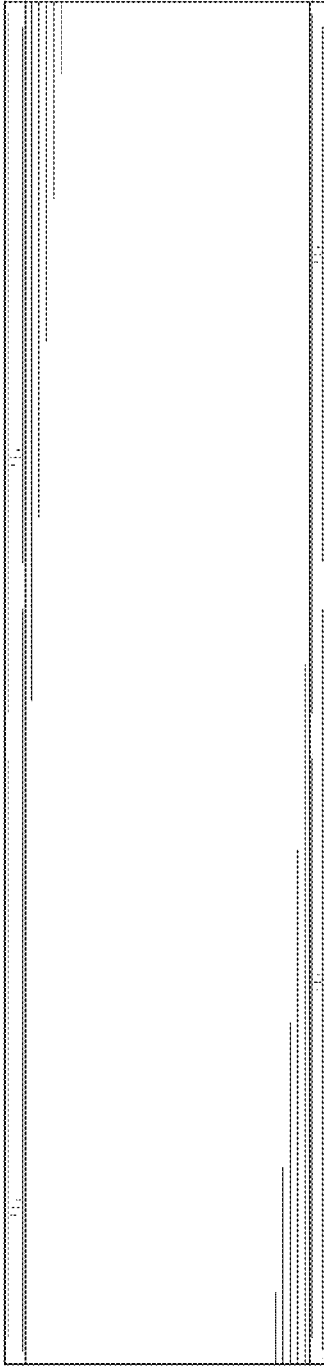


FIG. 3

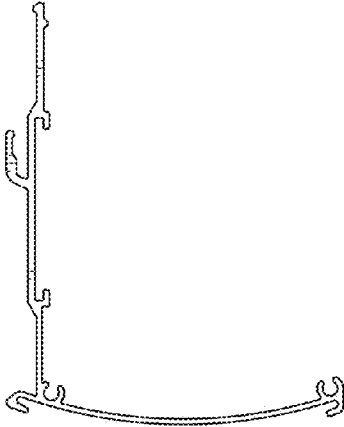


FIG. 4

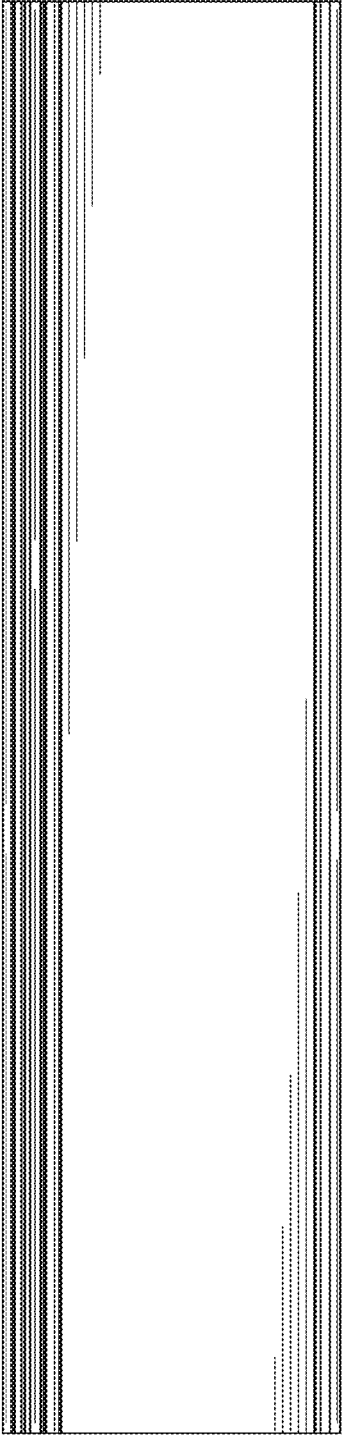


FIG. 5

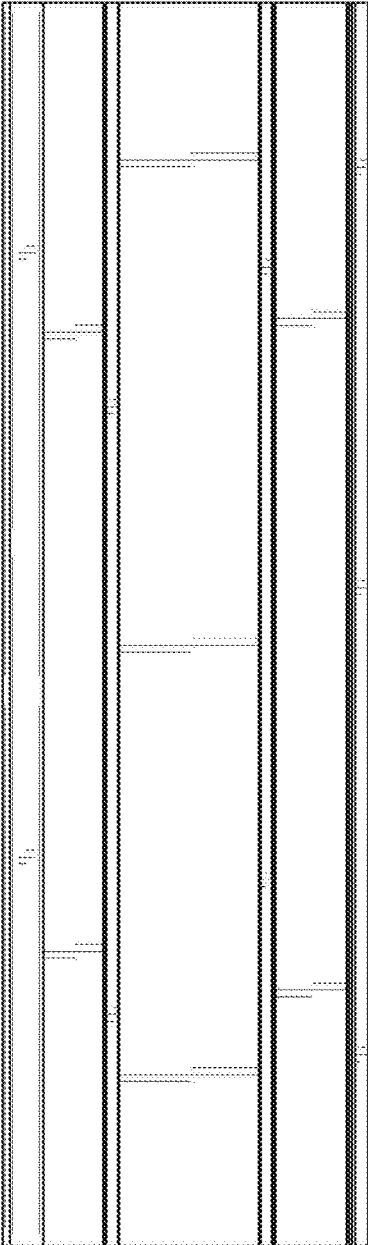


FIG. 6

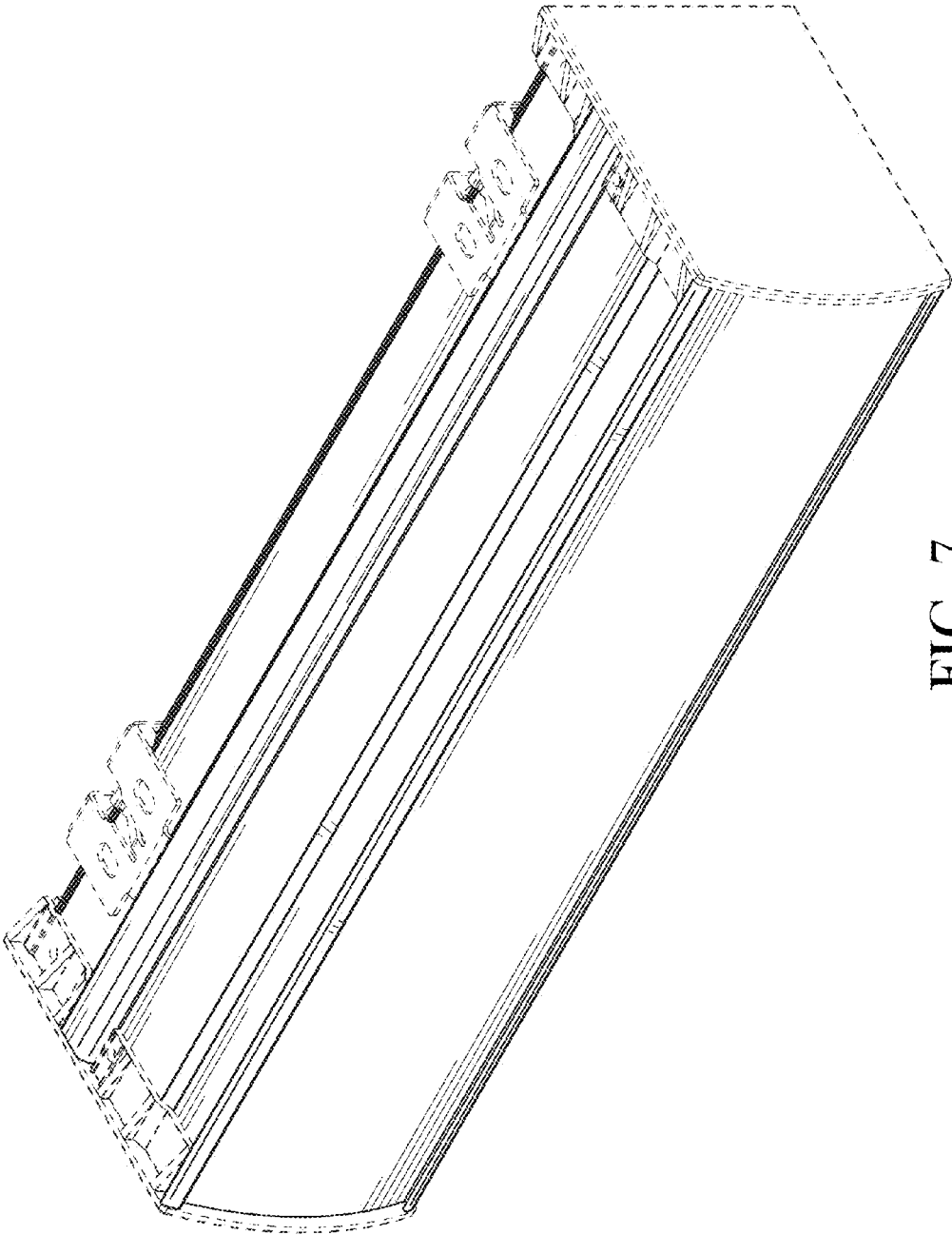


FIG. 7

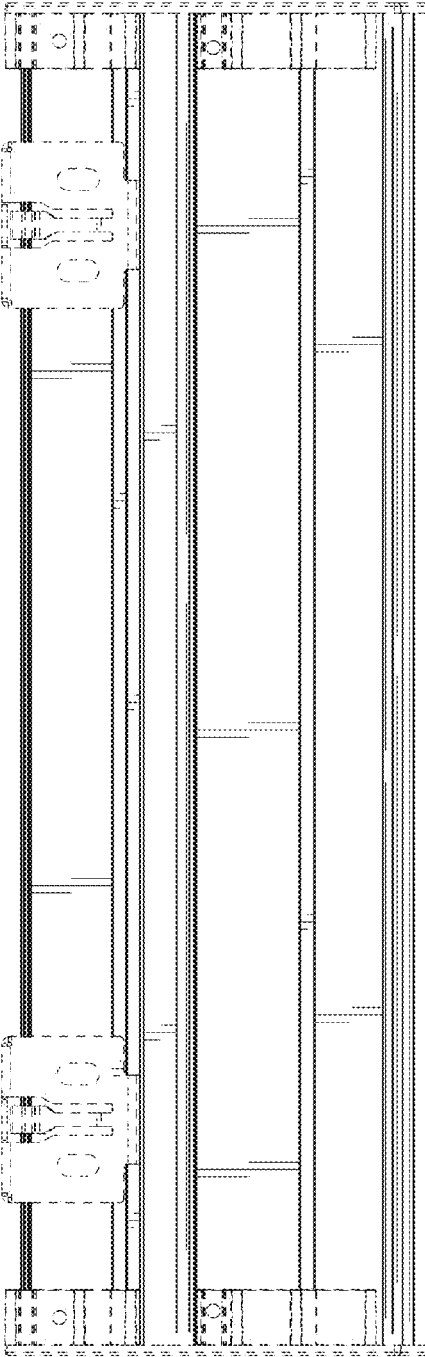


FIG. 8

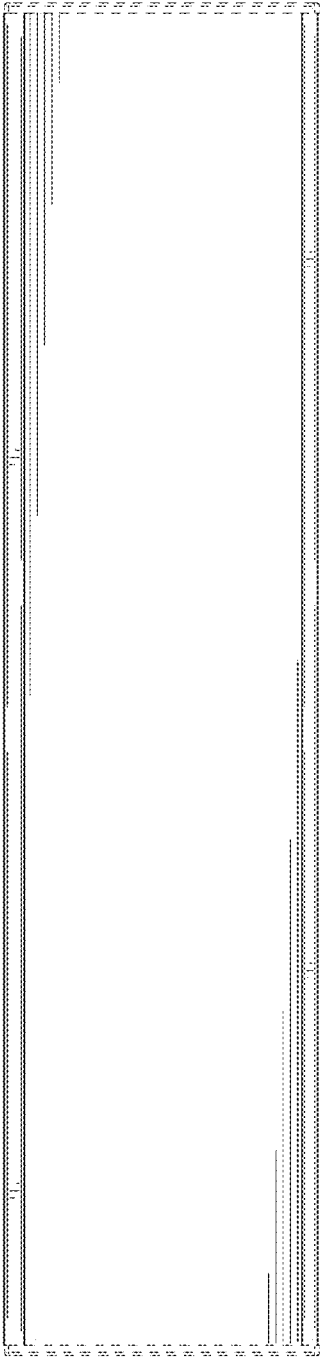


FIG. 9



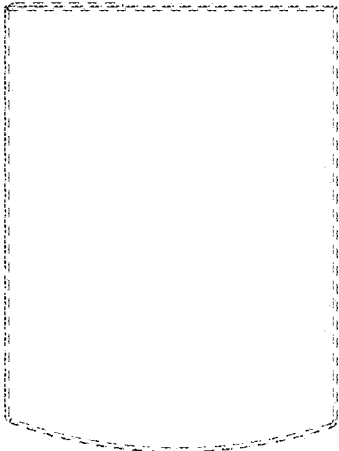


FIG. 10

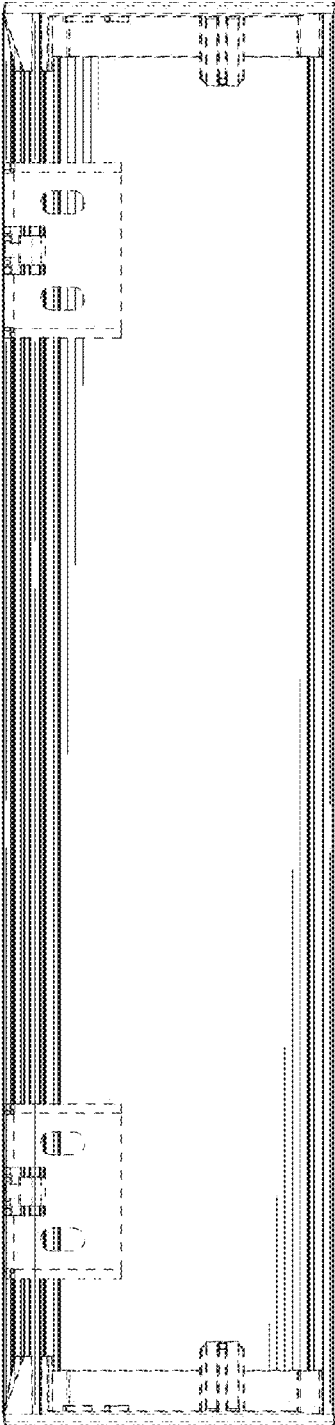


FIG. 11

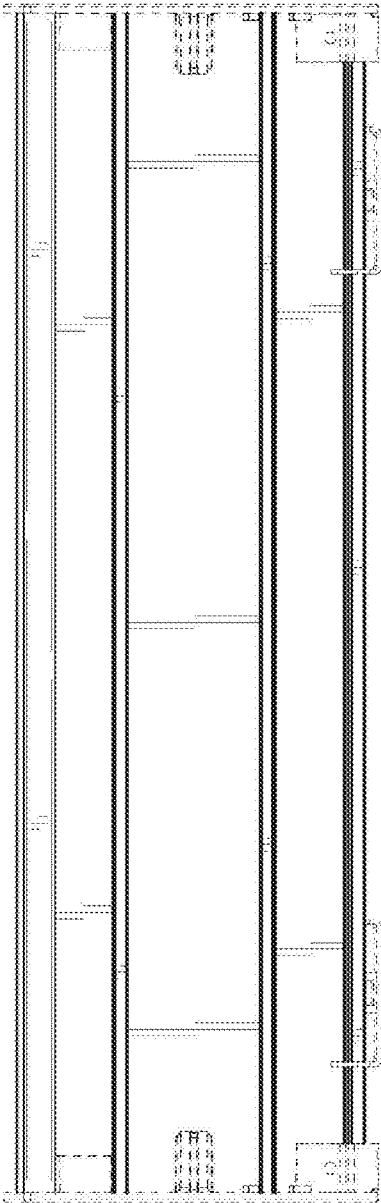


FIG. 12