



US00D719051S

(12) **United States Design Patent**
Macri

(10) **Patent No.:** **US D719,051 S**

(45) **Date of Patent:** **** Dec. 9, 2014**

(54) **SET OF PENDANTS**

- (71) Applicant: **Beth Macri Designs LLC**, Brooklyn, NY (US)
- (72) Inventor: **Beth Marie Macri**, Brooklyn, NY (US)
- (73) Assignee: **Beth Macri Designs LLC**, Brooklyn, NY (US)
- (**) Term: **14 Years**
- (21) Appl. No.: **29/449,439**

- (22) Filed: **Mar. 15, 2013**
- (51) **LOC (10) Cl.** **11-01**
- (52) **U.S. Cl.**
USPC **D11/81; D11/61**
- (58) **Field of Classification Search**
CPC A44C 15/005; A44C 25/00; A44C 25/001;
A44C 25/002; A44C 25/004; A44C 25/005;
A44C 25/007; A44C 25/008; A44C 1/00;
A44C 7/00; A44C 15/001
USPC D11/61, 79-86, 40, 41, 42, 43; 63/1.11,
63/18-20, 23
See application file for complete search history.

(56) **References Cited**

U.S. PATENT DOCUMENTS

D10,354 S *	12/1877	Miller et al.	D11/61
D14,485 S *	12/1883	Wood	D11/61
D179,380 S *	12/1956	Dana	D11/61
D179,381 S *	12/1956	Dana	D11/61
D248,936 S *	8/1978	Lohan	D11/157
D294,809 S *	3/1988	Robinson	D11/61
4,879,882 A *	11/1989	Johnson et al.	63/4
D327,030 S *	6/1992	Young	D11/61
D363,041 S *	10/1995	Ridenour	D11/81
D384,301 S *	9/1997	Gusky	D11/81
D395,257 S *	6/1998	Gusky	D11/81
D556,080 S *	11/2007	Day	D11/86
D617,673 S *	6/2010	Kladde et al.	D11/81
D673,075 S *	12/2012	Elia	D11/157

OTHER PUBLICATIONS

[Online] <http://cdn2.bigcommerce.com/server5500/as6hst/prod->

uct_images/uploaded_images/beth-macri-designs-hidden-message-pendants-bmd-and-love-500x800.jpg. Retrieved Aug. 5, 2015.*
[Online] http://cdn2.bigcommerce.com/server5500/as6hst/prod-uct_images/uploaded_images/peace-love-mix01-5x7-ww.jpg?t=1403738285. Retrieved Aug. 5, 2014.*

* cited by examiner

Primary Examiner — Garth Rademaker

Assistant Examiner — Melanie Pellegrini

(74) *Attorney, Agent, or Firm* — Hoffman Warnick LLC; Spencer K. Warnick

(57) **CLAIM**

The ornamental design for a set of pendants, as shown and described.

DESCRIPTION

FIG. 1 is a perspective view of a first pendant from a set of pendants showing my new design;
 FIG. 2 is a top plan view thereof;
 FIG. 3 is a bottom plan view thereof;
 FIG. 4 is a front elevational view thereof;
 FIG. 5 is a rear elevational view thereof;
 FIG. 6 is a left side elevational view thereof;
 FIG. 7 is a right side elevational view thereof;
 FIG. 8 is a perspective view of a second pendant from a set of pendants showing my new design;
 FIG. 9 is a top plan view thereof;
 FIG. 10 is a bottom plan view thereof;
 FIG. 11 is a front elevational view thereof;
 FIG. 12 is a rear elevational view thereof;
 FIG. 13 is a left side elevational view thereof;
 FIG. 14 is a right side elevational view thereof;
 FIG. 15 is a perspective view of a third pendant from a set of pendants showing my new design;
 FIG. 16 is a top plan view thereof;
 FIG. 17 is a bottom plan view thereof;
 FIG. 18 is a front elevational view thereof;
 FIG. 19 is a rear elevational view thereof;
 FIG. 20 is a left side elevational view thereof;
 FIG. 21 is a right side elevational view thereof;

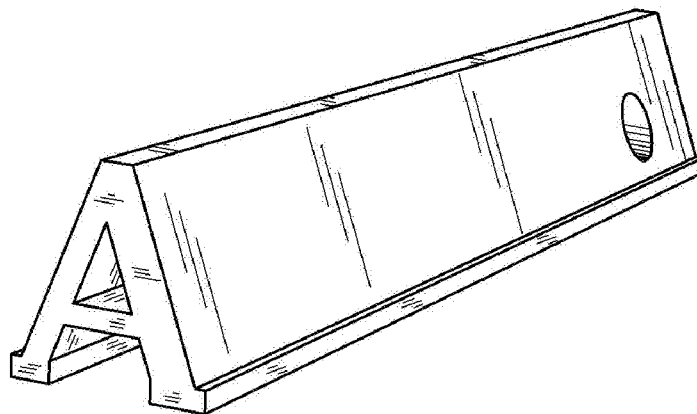


FIG. 246 is a perspective view of a thirty-sixth pendant from a set of pendants showing my new design;
FIG. 247 is a top plan view thereof;
FIG. 248 is a bottom plan view thereof;
FIG. 249 is a front elevational view thereof;
FIG. 250 is a rear elevational view thereof;
FIG. 251 is a left side elevational view thereof;
FIG. 252 is a right side elevational view thereof;
FIG. 253 is a perspective view of a thirty-seventh pendant from a set of pendants showing my new design;
FIG. 254 is a top plan view thereof;
FIG. 255 is a bottom plan view thereof;
FIG. 256 is a front elevational view thereof;
FIG. 257 is a rear elevational view thereof;
FIG. 258 is a left side elevational view thereof;
FIG. 259 is a right side elevational view thereof;
FIG. 260 is a perspective view of a thirty-eighth pendant from a set of pendants showing my new design;
FIG. 261 is a top plan view thereof;
FIG. 262 is a bottom plan view thereof;
FIG. 263 is a front elevational view thereof;
FIG. 264 is a rear elevational view thereof;
FIG. 265 is a left side elevational view thereof;
FIG. 266 is a right side elevational view thereof;
FIG. 267 is a perspective view of a thirty-ninth pendant from a set of pendants showing my new design;

FIG. 268 is a top plan view thereof;
FIG. 269 is a bottom plan view thereof;
FIG. 270 is a front elevational view thereof;
FIG. 271 is a rear elevational view thereof;
FIG. 272 is a left side elevational view thereof;
FIG. 273 is a right side elevational view thereof;
FIG. 274 is a perspective view of a fortieth pendant from a set of pendants showing my new design;
FIG. 275 is a top plan view thereof;
FIG. 276 is a bottom plan view thereof;
FIG. 277 is a front elevational view thereof;
FIG. 278 is a rear elevational view thereof;
FIG. 279 is a left side elevational view thereof;
FIG. 280 is a right side elevational view thereof;
FIG. 281 is a perspective view showing three pendants from the set of pendants in an environment of use;
FIG. 282 is a right side elevational view thereof;
FIG. 283 is a bottom plan view thereof; and,
FIG. 284 is a front elevational view thereof.
It is understood that each of the above forty pendants forms a part of a set of pendants; the entire set comprises the claimed design.
The broken lines illustrate environmental structures and form no part of the claimed design.

1 Claim, 42 Drawing Sheets

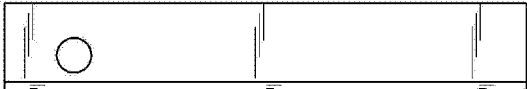


FIG. 6

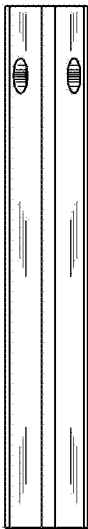


FIG. 2

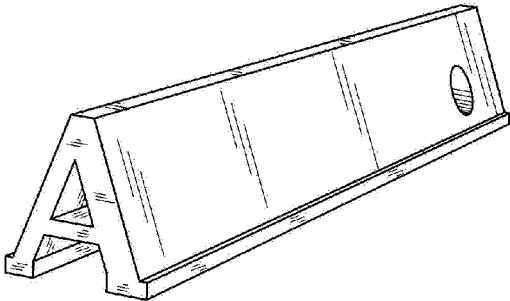


FIG. 1

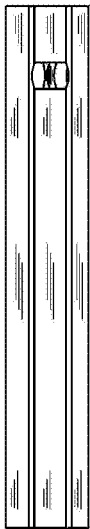


FIG. 3



FIG. 4

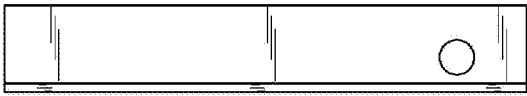


FIG. 7



FIG. 5

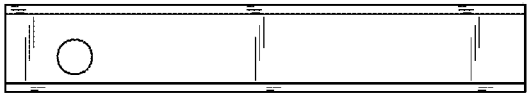


FIG. 13

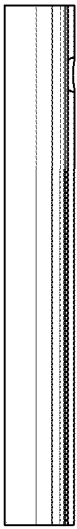


FIG. 9

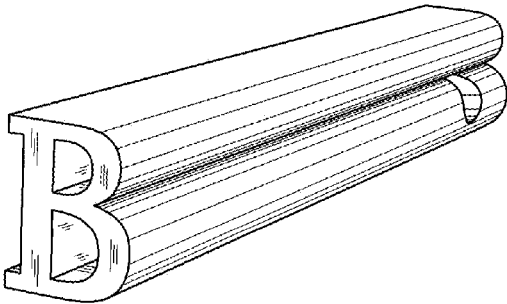


FIG. 8

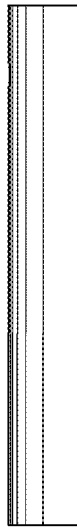


FIG. 10



FIG. 11

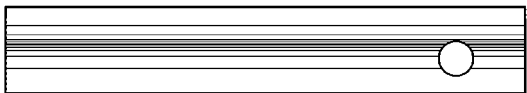


FIG. 14



FIG. 12



FIG. 20

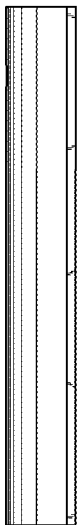


FIG. 16

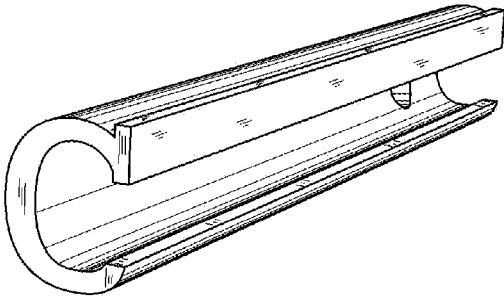


FIG. 15



FIG. 17



FIG. 18

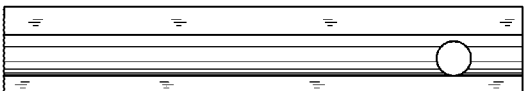


FIG. 21



FIG. 19

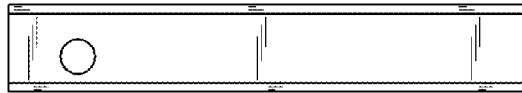


FIG. 27

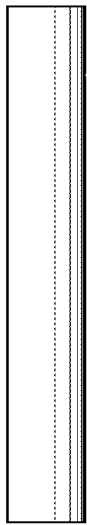


FIG. 23

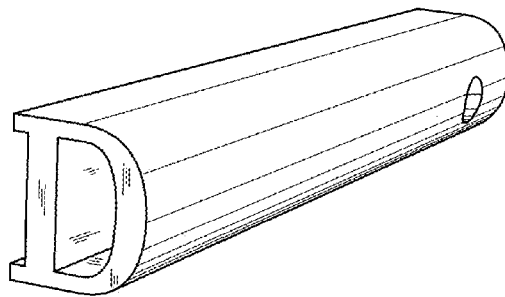


FIG. 22

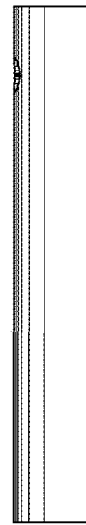


FIG. 24



FIG. 25

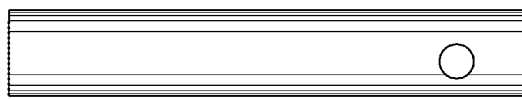


FIG. 28



FIG. 26

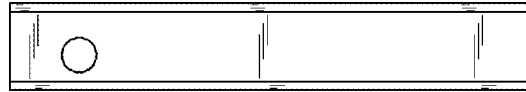


FIG. 34

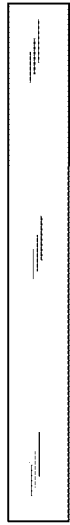


FIG. 30

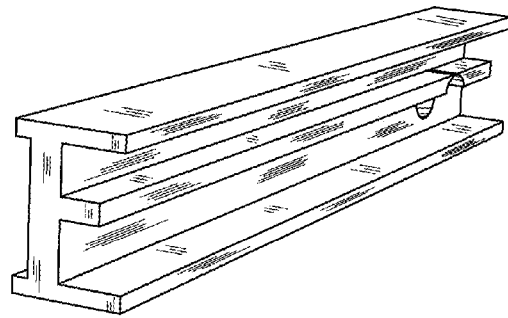


FIG. 29



FIG. 31



FIG. 32



FIG. 35



FIG. 33

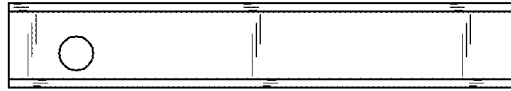


FIG. 41

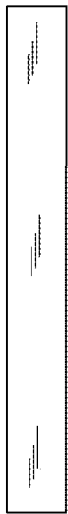


FIG. 37

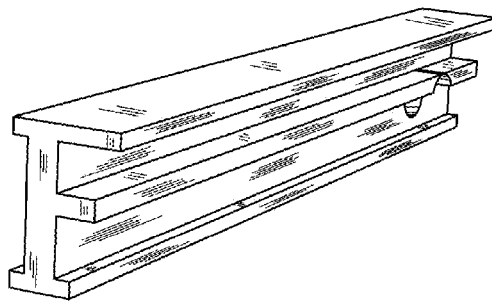


FIG. 36



FIG. 38



FIG. 39



FIG. 42



FIG. 40

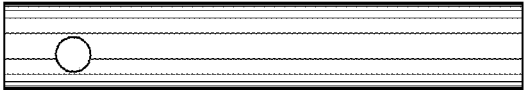


FIG. 48

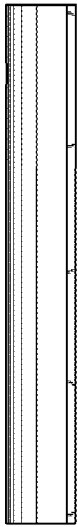


FIG. 44

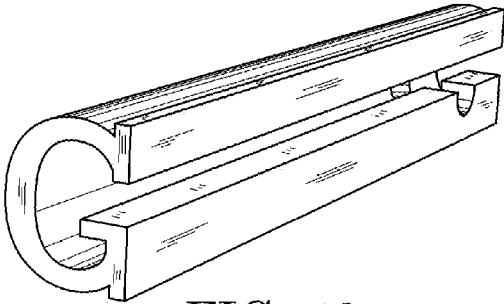


FIG. 43



FIG. 45



FIG. 46



FIG. 49



FIG. 47

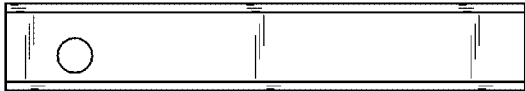


FIG. 55

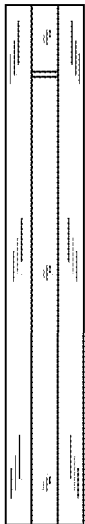


FIG. 51

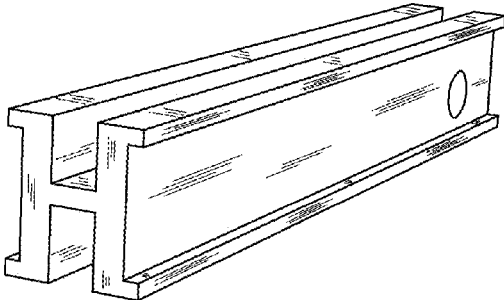


FIG. 50

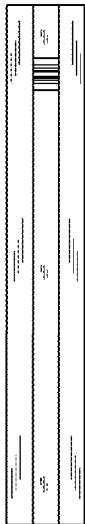


FIG. 52



FIG. 53

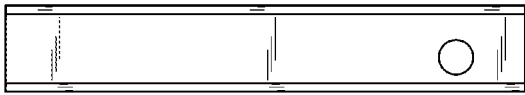


FIG. 56



FIG. 54

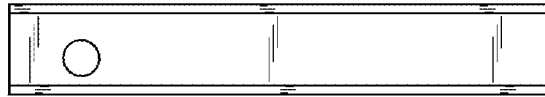


FIG. 62



FIG. 58

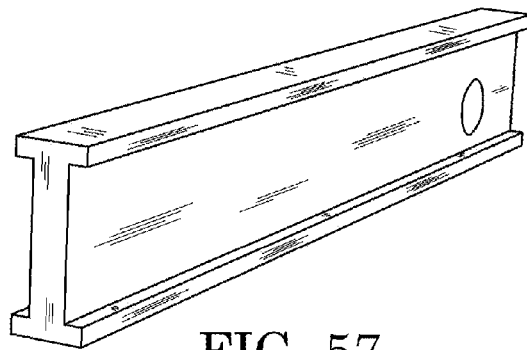


FIG. 57



FIG. 59

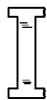


FIG. 60

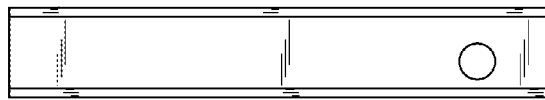


FIG. 63



FIG. 61

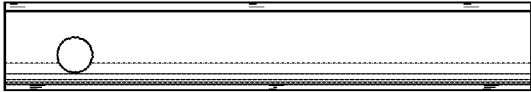


FIG. 69



FIG. 65

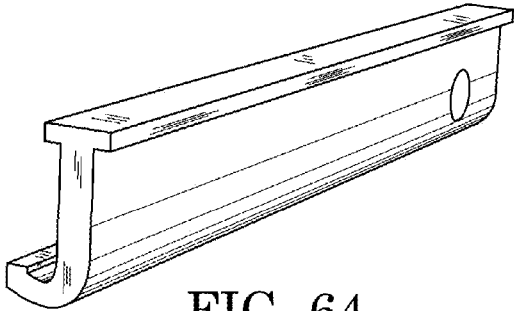


FIG. 64



FIG. 66



FIG. 67



FIG. 70



FIG. 68

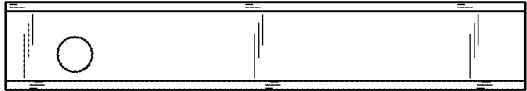


FIG. 76

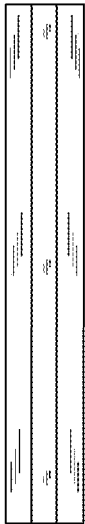


FIG. 72

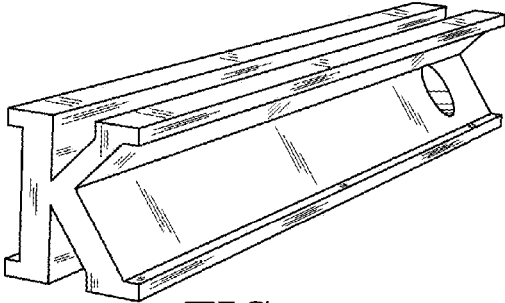


FIG. 71

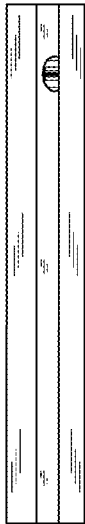


FIG. 73



FIG. 74



FIG. 77



FIG. 75

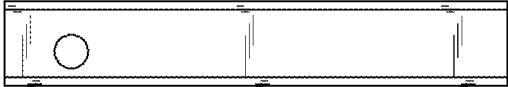


FIG. 83



FIG. 79

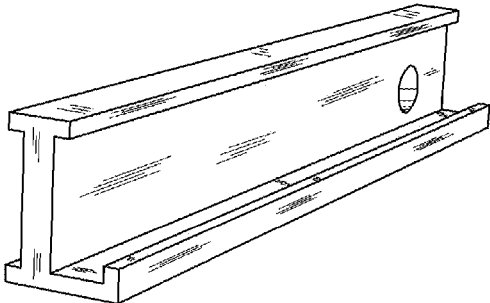


FIG. 78

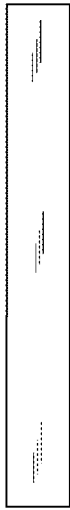


FIG. 80



FIG. 81



FIG. 84



FIG. 82

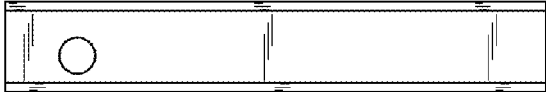


FIG. 90



FIG. 86

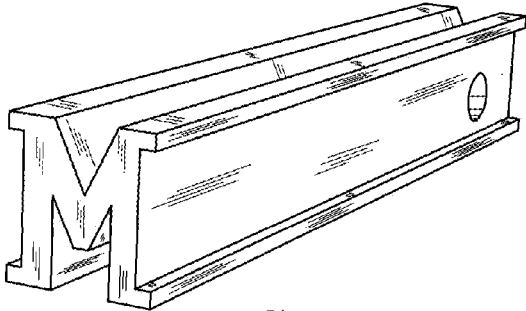


FIG. 85

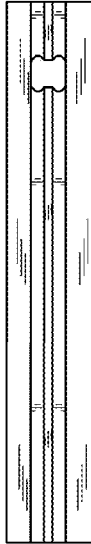


FIG. 87



FIG. 88



FIG. 91



FIG. 89

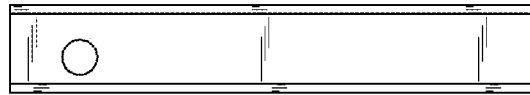


FIG. 97

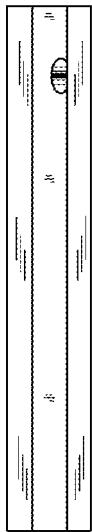


FIG. 93

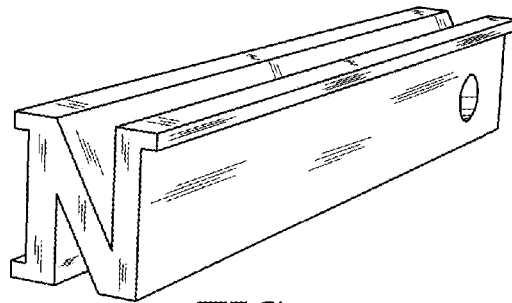


FIG. 92

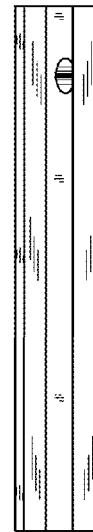


FIG. 94



FIG. 95



FIG. 98



FIG. 96



FIG. 104

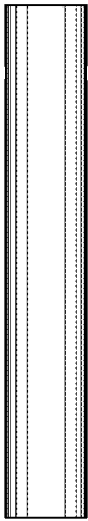


FIG. 100

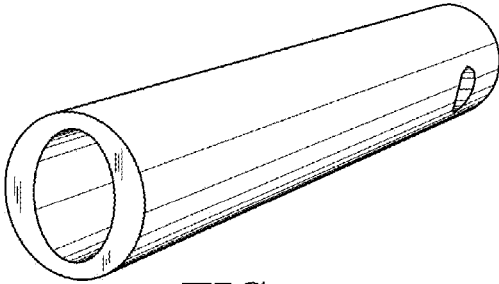


FIG. 99

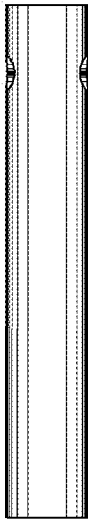


FIG. 101



FIG. 102



FIG. 105



FIG. 103

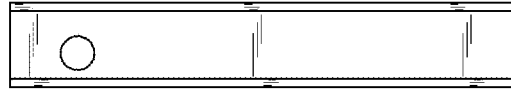


FIG. 111



FIG. 107

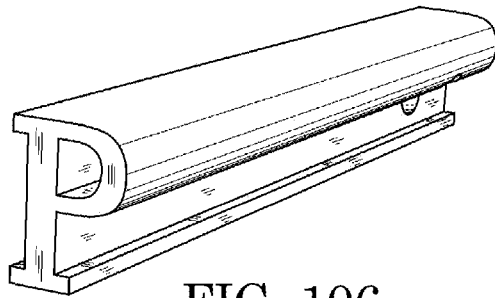


FIG. 106

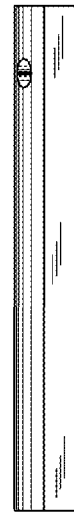


FIG. 108



FIG. 109

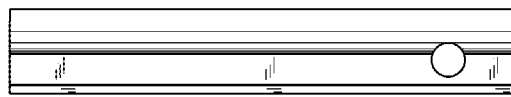


FIG. 112



FIG. 110

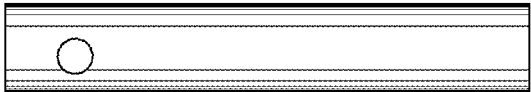


FIG. 118

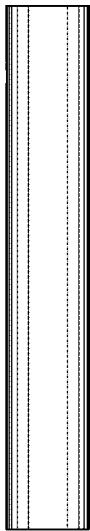


FIG. 114

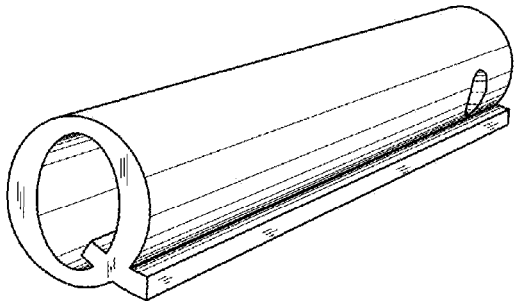


FIG. 113



FIG. 115



FIG. 116



FIG. 119



FIG. 117

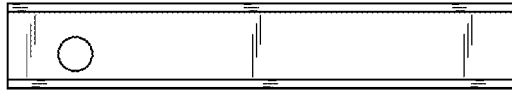


FIG. 125

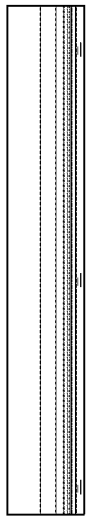


FIG. 121

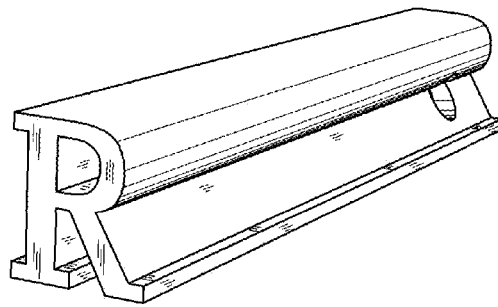


FIG. 120

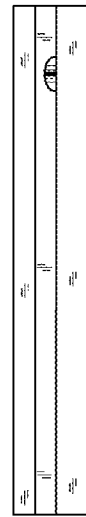


FIG. 122



FIG. 123



FIG. 126



FIG. 124

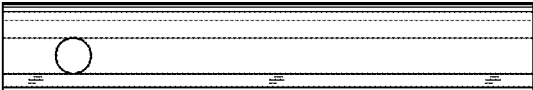


FIG. 132

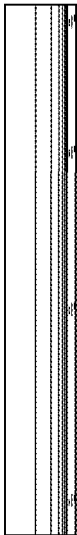


FIG. 128

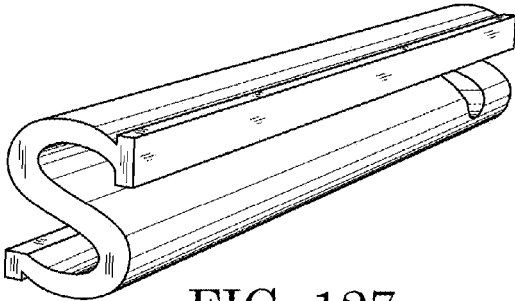


FIG. 127

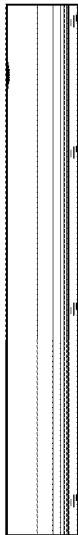


FIG. 129



FIG. 130

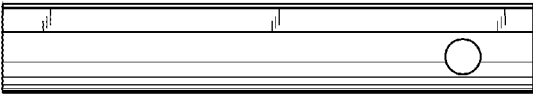


FIG. 133



FIG. 131

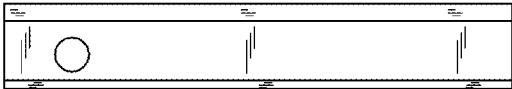


FIG. 139



FIG. 135

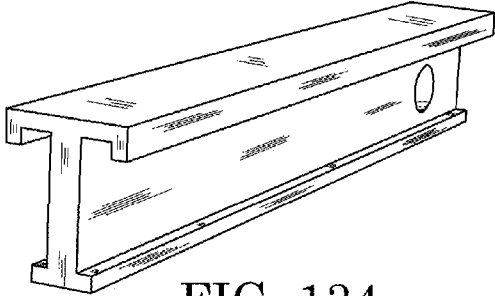


FIG. 134



FIG. 136



FIG. 137

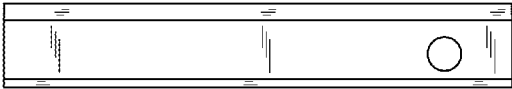


FIG. 140



FIG. 138

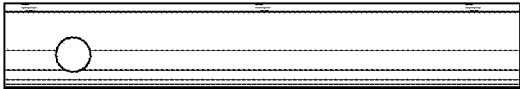


FIG. 146

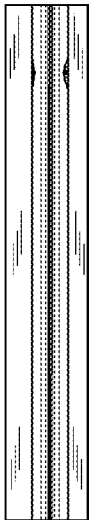


FIG. 142

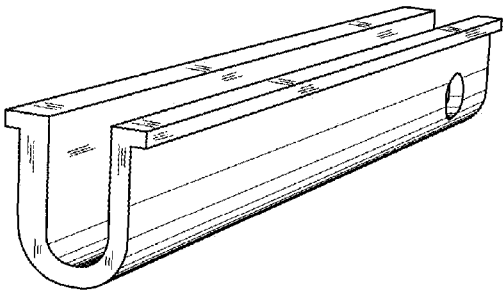


FIG. 141

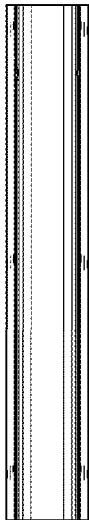


FIG. 143



FIG. 144



FIG. 147



FIG. 145

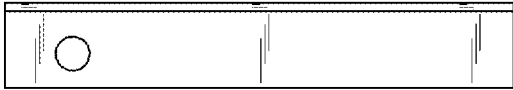


FIG. 153

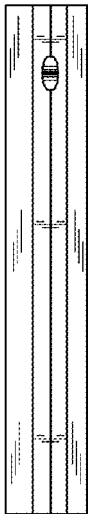


FIG. 149

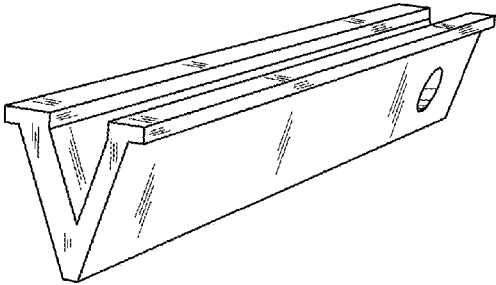


FIG. 148



FIG. 150



FIG. 151

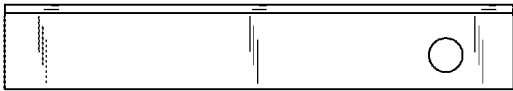


FIG. 154



FIG. 152



FIG. 160

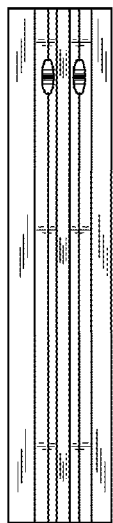


FIG. 156

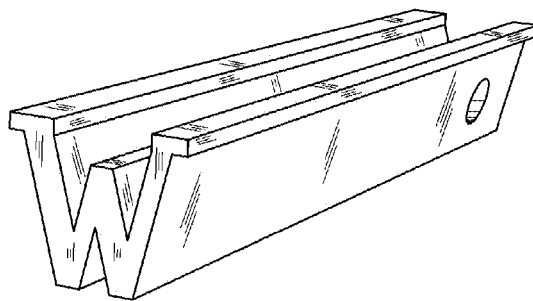


FIG. 155

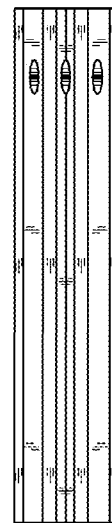


FIG. 157



FIG. 158



FIG. 161



FIG. 159

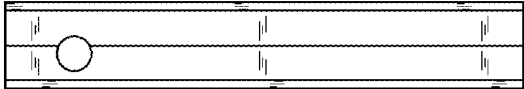


FIG. 167

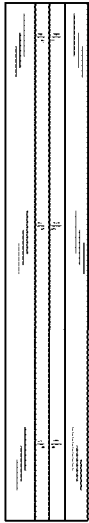


FIG. 163

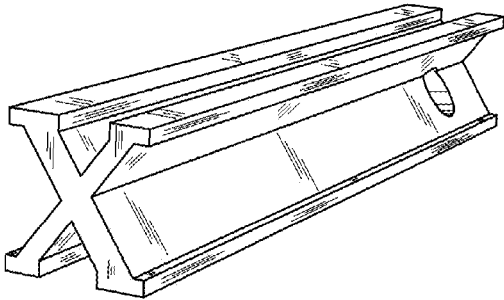


FIG. 162



FIG. 164



FIG. 165



FIG. 168



FIG. 166

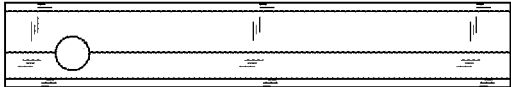


FIG. 174

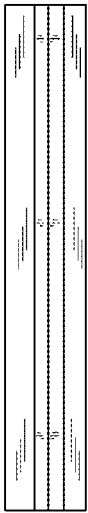


FIG. 170

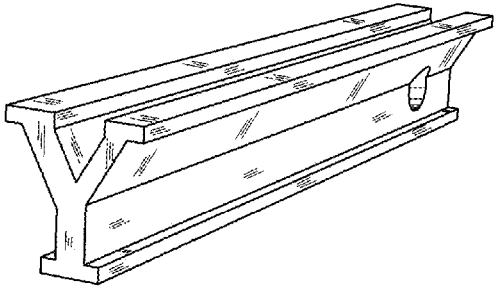


FIG. 169



FIG. 171



FIG. 172



FIG. 175



FIG. 173

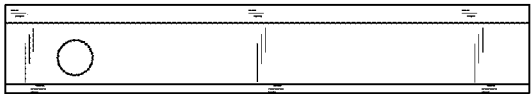


FIG. 181



FIG. 177

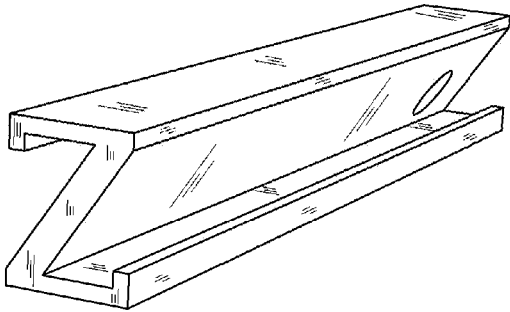


FIG. 176

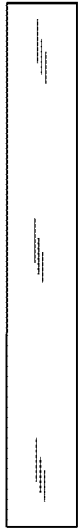


FIG. 178



FIG. 179



FIG. 182



FIG. 180

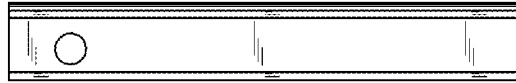


FIG. 188

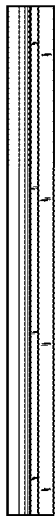


FIG. 184

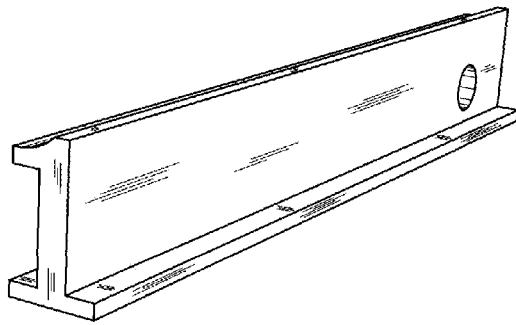


FIG. 183



FIG. 185



FIG. 186

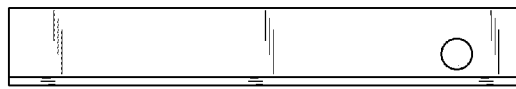


FIG. 189



FIG. 187

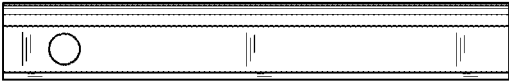


FIG. 195

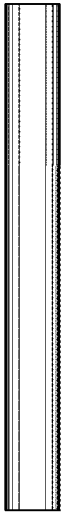


FIG. 191

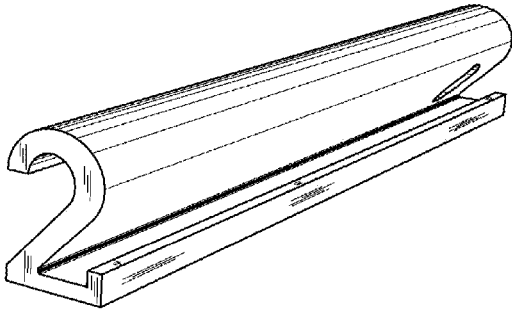


FIG. 190

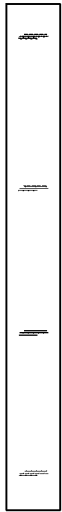


FIG. 192



FIG. 193



FIG. 196



FIG. 194

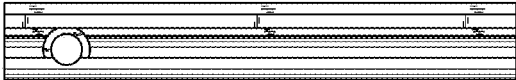


FIG. 202

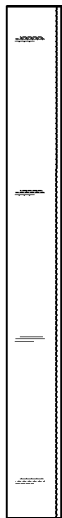


FIG. 198

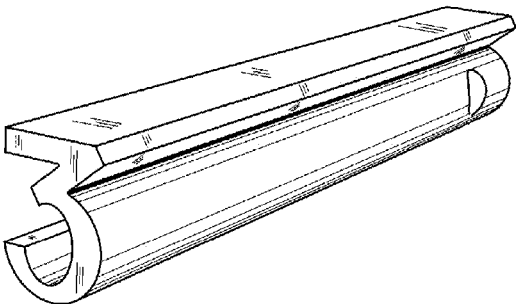


FIG. 197



FIG. 199



FIG. 200



FIG. 203



FIG. 201

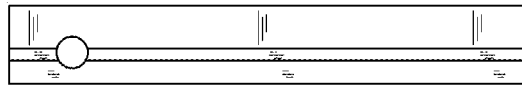


FIG. 209

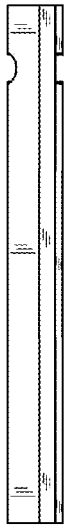


FIG. 205

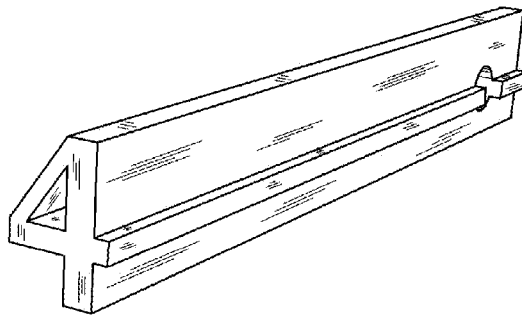


FIG. 204



FIG. 206



FIG. 207

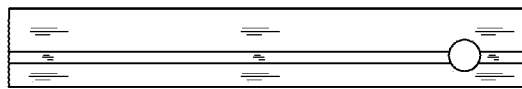


FIG. 210



FIG. 208

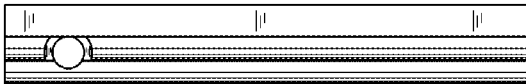


FIG. 216

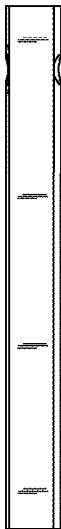


FIG. 212

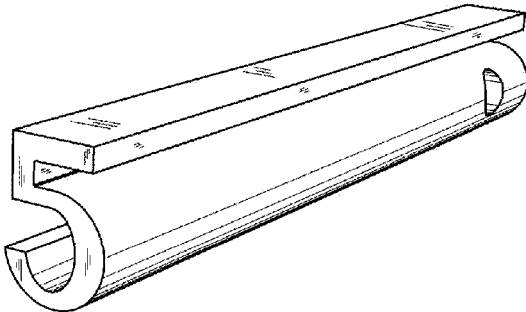


FIG. 211

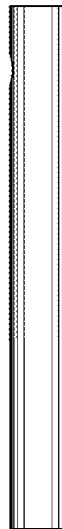


FIG. 213



FIG. 214



FIG. 217



FIG. 215

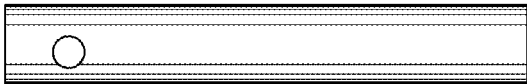


FIG. 223



FIG. 219

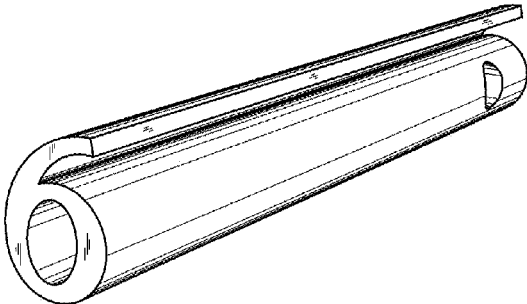


FIG. 218



FIG. 220



FIG. 221



FIG. 224



FIG. 222

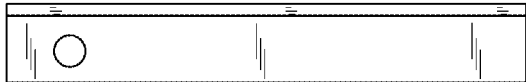


FIG. 230



FIG. 226

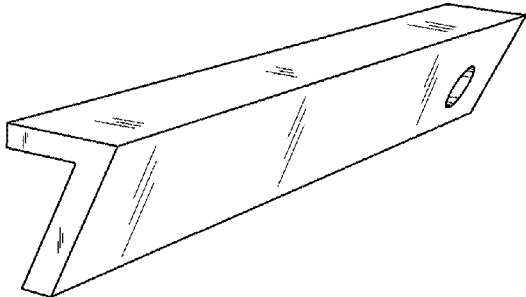


FIG. 225

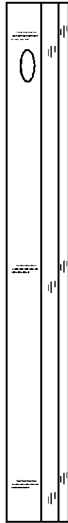


FIG. 227



FIG. 228



FIG. 231



FIG. 229

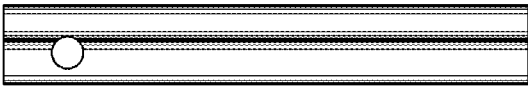


FIG. 237

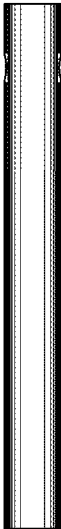


FIG. 233

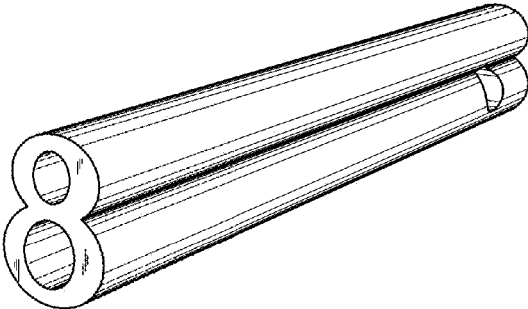


FIG. 232

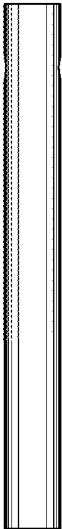


FIG. 234



FIG. 235

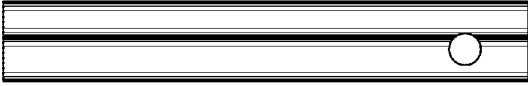


FIG. 238



FIG. 236

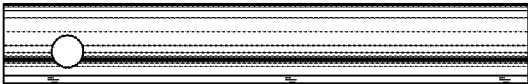


FIG. 244

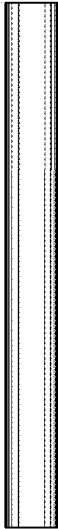


FIG. 240

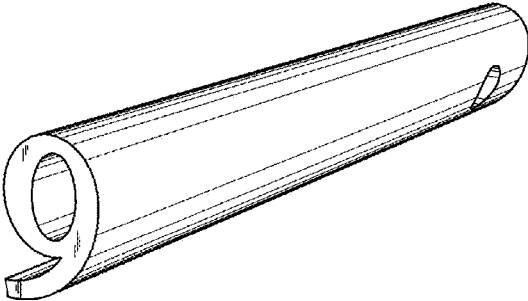


FIG. 239

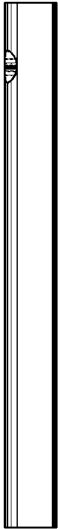


FIG. 241



FIG. 242



FIG. 245



FIG. 243

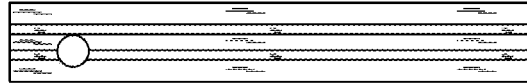


FIG. 251

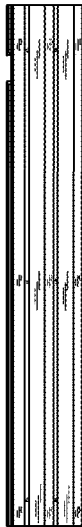


FIG. 247

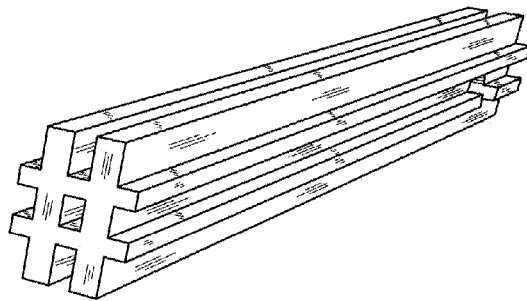


FIG. 246

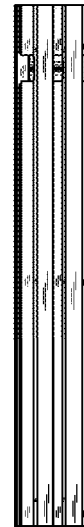


FIG. 248



FIG. 249

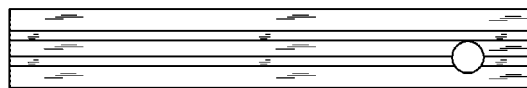


FIG. 252



FIG. 250



FIG. 258

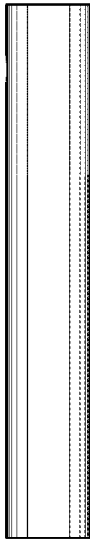


FIG. 254

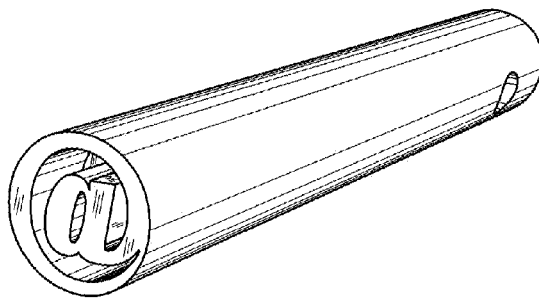


FIG. 253

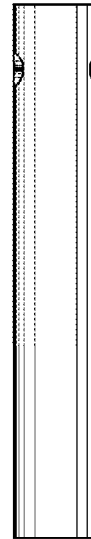


FIG. 255



FIG. 256

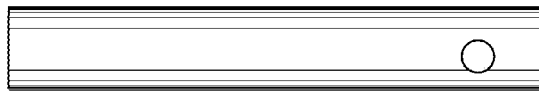


FIG. 259



FIG. 257



FIG. 265

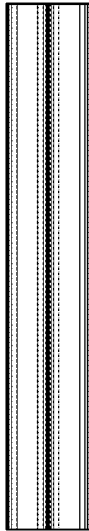


FIG. 261

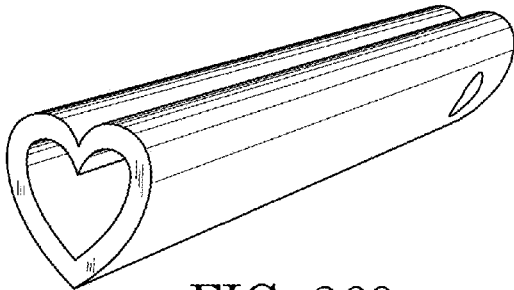


FIG. 260

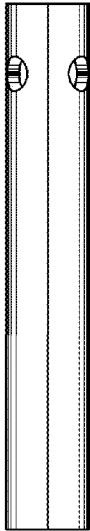


FIG. 262



FIG. 263



FIG. 266



FIG. 264

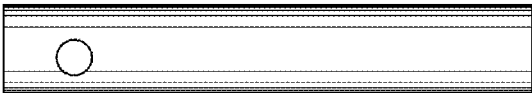


FIG. 272

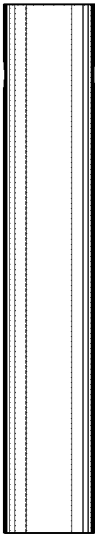


FIG. 268

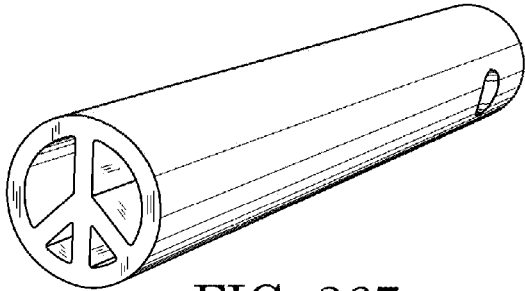


FIG. 267

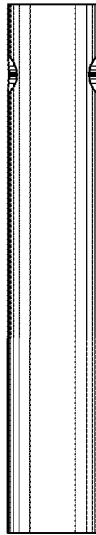


FIG. 269



FIG. 270

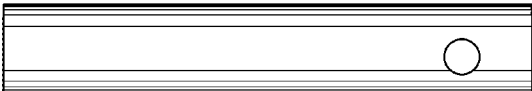


FIG. 273



FIG. 271

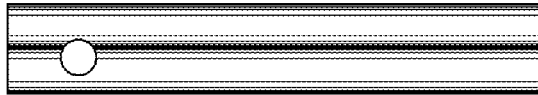


FIG. 279



FIG. 275

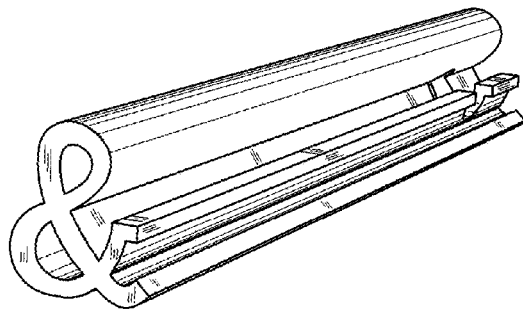


FIG. 274

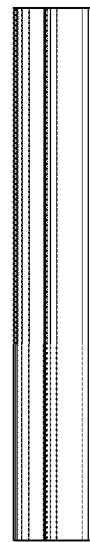


FIG. 276



FIG. 277



FIG. 280



FIG. 278

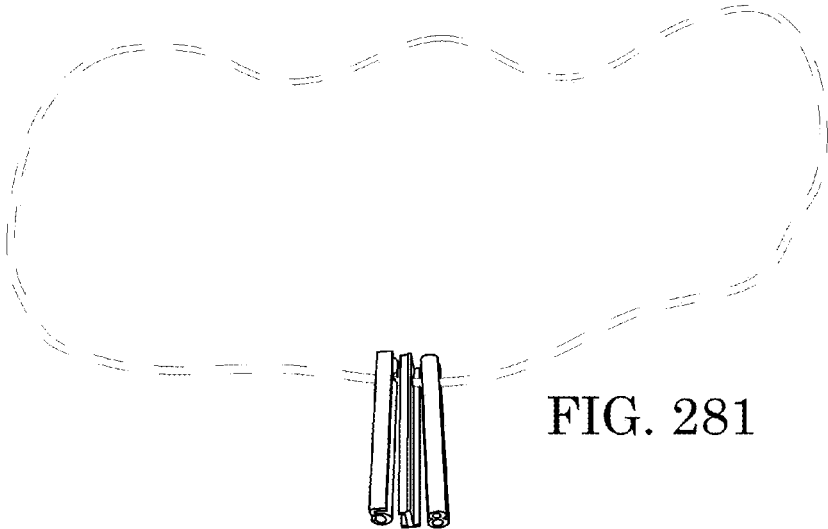


FIG. 281

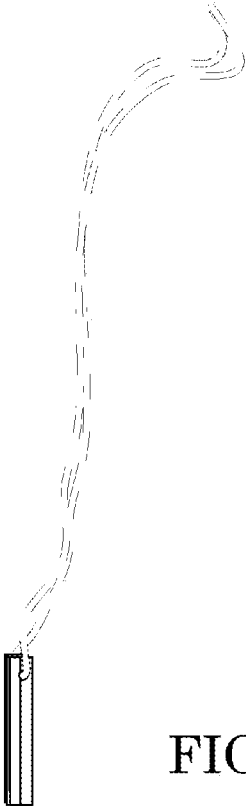


FIG. 282



FIG. 283

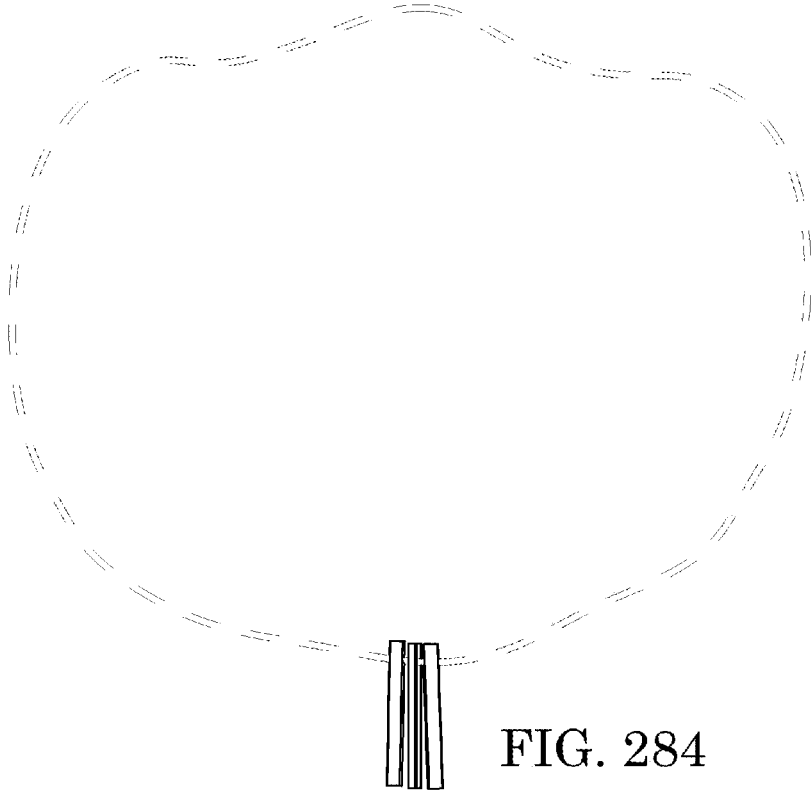


FIG. 284